

料号信息说明:

类别: A:成品  
 系列码: 11:HDMI-A/F  
 PIN数码: 19:19PIN  
 流水码: 10

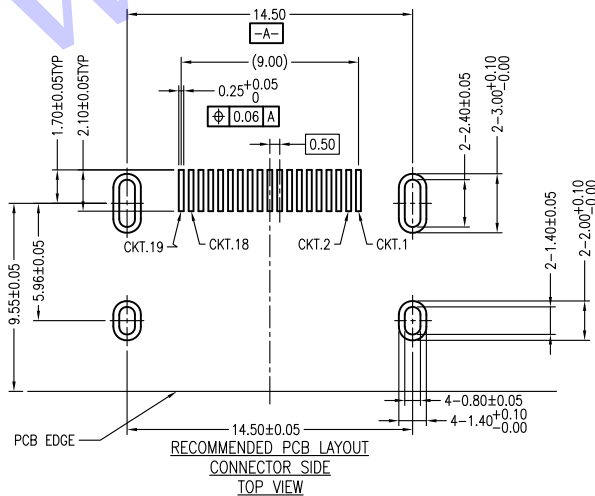
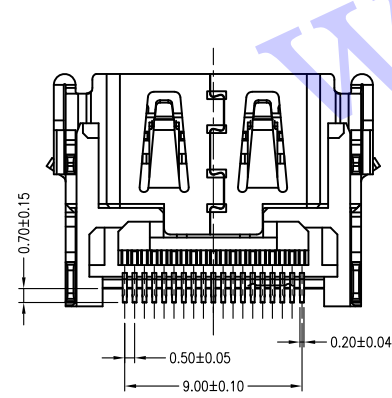
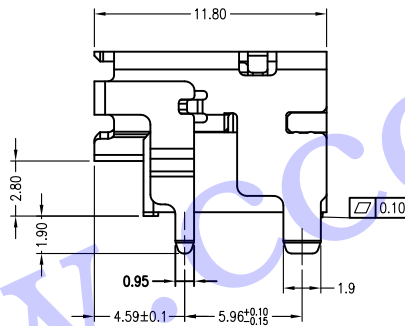
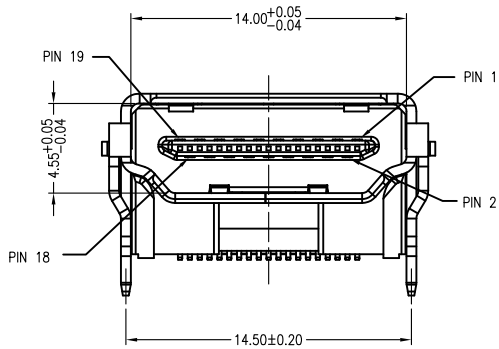
料号: A111910-X-XX-X

包装: R:TAPE & REEL, T:TRAY

端子接触区电镀:  
 01: Au 1u"  
 03: Au 3u"  
 05: Au 5u"  
 10: Au 10u"  
 15: Au 15u"  
 30: Au 30u"

NOTE:

- MATERIAL AND FINISH SEE THE TABLE.
- MECHANICAL CHARACTERISTICS  
 INSERTION FORCE: 44.1N MAX  
 EXTROCTION FORCE: 9.8N MIN, 39.2N MAX  
 MATING CYCLE: 10000 CYCLES
- ELECTRICAL CHARACTERISTICS  
 RATING CURRENT: 0.5A  
 RATING VOLTAGE: 40V  
 CONTACT RESISTANCE: 10 MILLOHMS OHMS MAX (EXCLDUING CONDUCTOR RESISTANCE)  
 INSULATION RESISTANCE:  
 a, UNMATED: 100M OHMS MIN AT 500 VDC  
 b, MATED: 10M OHMS MIN AT 150 VDC  
 DIELECTRIC WITHSTANDING VOLTAGE:  
 500V AC/1MINUTE  
 OPERATING TEMPERATURE: -20°C---+85°C  
 STORAGE TEMPERATURE: -20°C---+65°C



Item	Title	Material	Dispose	Remark
1	Terminal	Copper Alloy	Mating Area:See P/N Solder Tails:Cu Mating Area:See P/N Solder Tails:Sn	t=0.20
2	InsertMolding	LCP	UL94V-0	Black
3	Shell	Copper Alloy	Ni:50u" Min.	t=0.50

X. ±0.50	X° ±2°	UNITS mm	深圳市创粤科技有限公司		
.X ±0.30	.X° ± 1°				
.XX ±0.10	.XX° ± 0.5°	MAT'L /	TITLE: HDMI 19PIN A TYPE 加高2.8mm 外壳脚长1.9mm		
.XXX ± 0.05					
THESE DRAWINGS AND SPECIFICATIONS ARE THE PROPERTY OF CHUANGYUE TECHNOLOGY CO.,LTD. AND SHALL NOT BE REPRODUCED, COPIED OR USED IN ANY MANNER WITHOUT THE PRIOR WRITTEN CONSENT OF CHUANGYUE TECHNOLOGY CO., LTD		FINISH / Q'TY /	APPD:	DWG NO.:	
			CHKD:	CY-THF3-19PC-280	
DR: Steven.Xie 2018/10/07			SCALE	SHEET	REV.
			1/1	1/1	A1