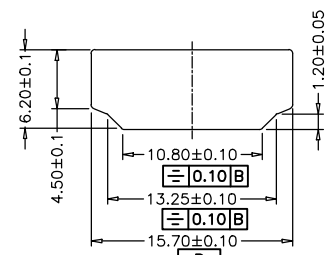
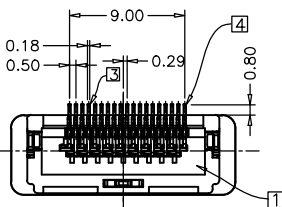
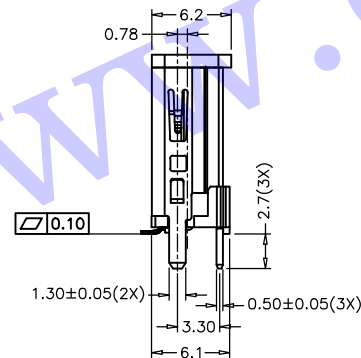
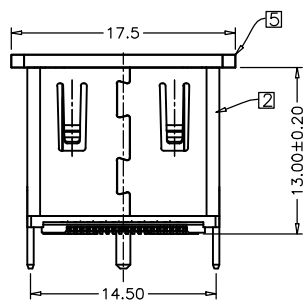
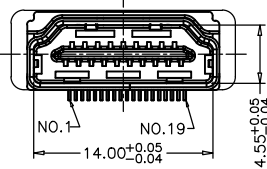


RECOMMENDED PCB LAYOUT(T=1.60mm)
TOP VIEW

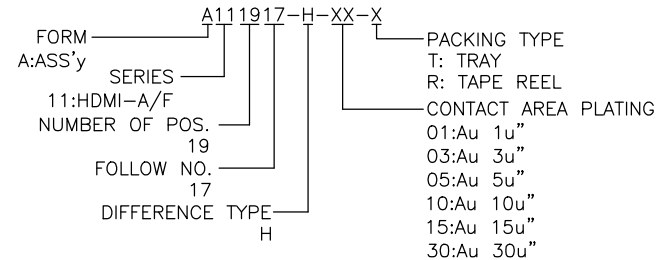


RECOMMENDED PANEL CUT OUT DIMENSION

NOTE:

- MECHANICAL CHARACTERISTICS
 INSERTION FORCE: 44.1N MAX
 WITHDRAWAL FORCE: 9.8N MIN, 39.2N MAX
 MATING CYCLE:10000 CYCLES
 CONTACT PULL OUT FORCE: 1.96N/PIN MIN
 SCREW TIGHTENING TORQUE:3.5±0.5Kg
- ELECTRICAL CHARACTERISTICS
 RATING CURRENT: 0.5A
 RATING VOLTAGE: 40V
 CONTACT RESISTANCE: 10 MILLOHMS OHMS MAX
 (EXCLUDING CONDUCTOR RESISTANCE)
 INSULATION RESISTANCE:
 a, UNMATED: 100M OHMS MIN AT 500 VDC
 b, MATED: 10M OHMS MIN AT 150 VDC
 DIELECTRIC WITHSTANDING VOLTAGE: 300V AC/1MINUTE
 OPERATING TEMPERATURE: -20°C--+85°C
 STORAGE TEMPERATURE: -20°C--+65°C

PART NO. INFORMATION



05	防尘盖	H111994-A-A	LCP UL94V-0	黑色	10
04	短端子	T111917-A-XX-B	C5191 T=0.20	底镍50u".接触区见料号说明, 尾部雾锡80u".	9
03	长端子	T111917-A-XX-A	C5191 T=0.20	底镍50u".接触区见料号说明, 尾部雾锡80u".	1
02	外壳	K111917-II-0N-B	C2680 T=0.50	镍50u"Min.	1
01	胶芯	H111917-B-A	LCP UL94V-0	黑色	1
NO.	名称	料号	材质	电镀/颜色	数量

X. ±0.50	X.* ± 2*	UNITS mm	深圳市创粤科技有限公司
.X ±0.30	.X* ± 1*		
.XX ±0.10	.XX* ± 0.5*	MAT'L	TITLE: HDMI 19PIN A TTYPE 直立式贴片母座 13.0mm
.XXX ± 0.05			
THESE DRAWINGS AND SPECIFICATIONS ARE THE PROPERTY OF CHUANGYUE TECHNOLOGY CO.,LTD. AND SHALL NOT BE REPRODUCED, COPIED OR USED IN ANY MANNER WITHOUT THE PRIOR WRITTEN CONSENT OF CHUANGYUE TECHNOLOGY CO., LTD	FINISH	APPD: 陈俊杰	DWG NO.: CY-SHF5-19PC-130
	Q'TY	CHKD: 陈志南	
			DR: 林德成

B	TE2013-0261	统一管控端子锡脚	2013.06.05
A	TE2013-0184	初版发行	2013.05.07
REV	ECN NO	DESCRIPTION	DATE