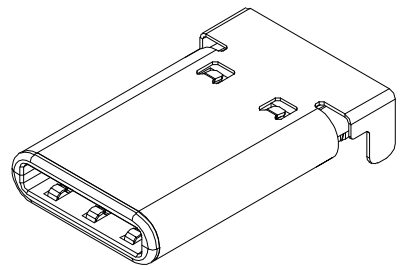
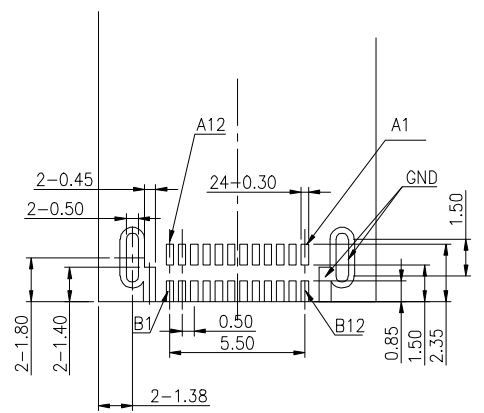
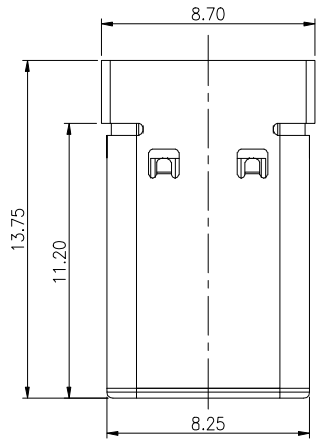
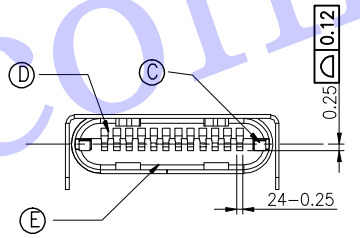
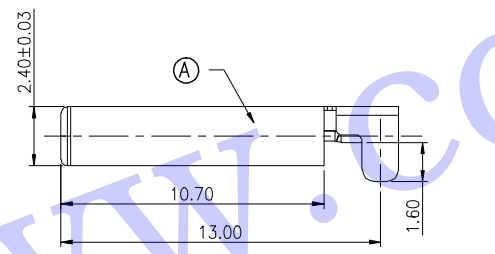
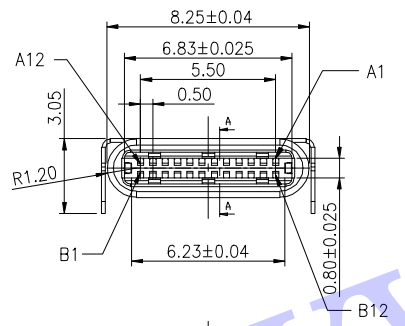


REV.	ECN. NO.	APPD.



Recommended P.C.B Layout
Tolerance ±0.05

Pin Number	host	device	Pin Number	host	device
PIN A1	GND	GND	PIN B12	GND	GND
PIN A2	SSTXp1	SSTXp1	PIN B11	SSRXp1	SSRXp1
PIN A3	SSTXn1	SSTXn1	PIN B10	SSRXn1	SSRXn1
PIN A4	VBUS	VBUS	PIN B9	VBUS	VBUS
PIN A5	CC1	CC1	PIN B8	SBU2	SBU2
PIN A6	Dp1	Dp1	PIN B7	Dn2	Dn2
PIN A7	Dn1	Dn1	PIN B6	Dp2	Dp2
PIN A8	SBU1	SBU1	PIN B5	CC2	CC2
PIN A9	VBUS	VBUS	PIN B4	VBUS	VBUS
PIN A10	SSRXn2	SSRXn2	PIN B3	SSTXn2	SSTXn2
PIN A11	SSRXp2	SSRXp2	PIN B2	SSTXp2	SSTXp2
PIN A12	GND	GND	PIN B1	GND	GND



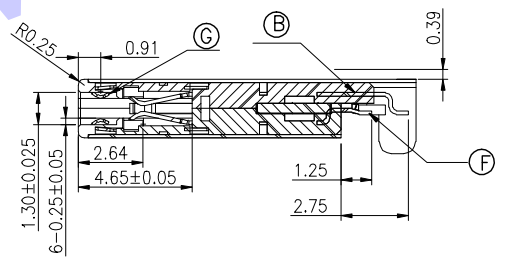
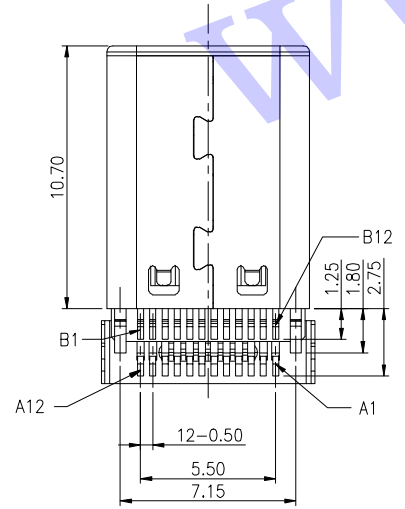
NOTES:

1.MATERIAL:

HOUSING: LCP+ 30% G.F, UL94V-0 COLOR: BLACK
CONTACT: C5210-RH, 0.15mm.
SHELL : SUS301, 0.20mm
EMI : SUS304, 0.10mm
SHIELD CONTACT : SUS301, 0.10mm

2.FINISH:

Contacts: [G/F]Au PLATED /80u"Sn/50u" Ni Plated
Shell: 30u" Nickel Plated
SHIELD CONTACT: 30u" Nickel Plated



X. ±0.50	X.* ±2°	UNITS mm
X ±0.30	X.* ±1°	
.XX ±0.10	.XX* ±0.5°	MAT'L
.XXX ±0.05		
THESE DRAWINGS AND SPECIFICATIONS ARE THE PROPERTY OF SHENZHEN CHUANGYUE TECHNOLOGY CO.,LTD AND SHALL NOT BE REPRODUCED, COPIED OR USED IN ANY MANNER WITHOUT THE PRIOR WRITTEN CONSENT OF SHENZHEN CHUANGYUE TECHNOLOGY CO., LTD		FINISH
		Q'TY

深圳市创粤科技有限公司

TITLE: USB CM 90度DIP FOR PCB(无凸包无弹片)

APPD:	DR: 2018/10/07
CHKD:	

DWG NO.:
CY-C-16-003

SCALE	SHEET	REV.
1/1	1/1	A1