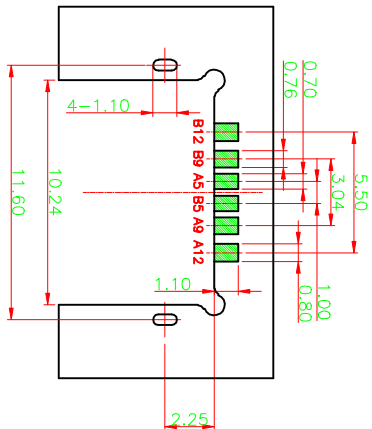
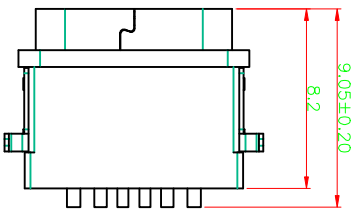
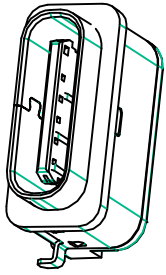




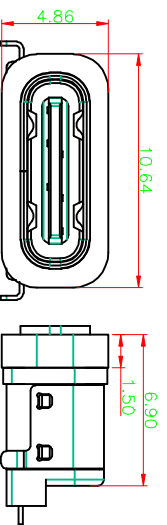
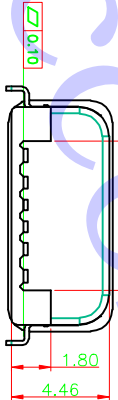
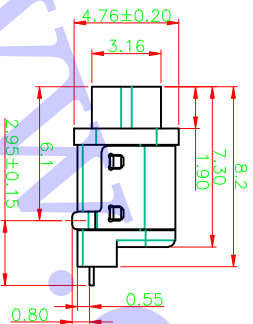
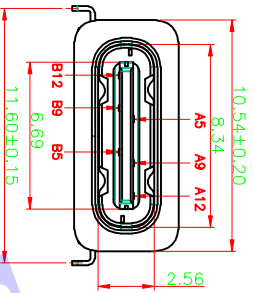
RoHS
Compliant



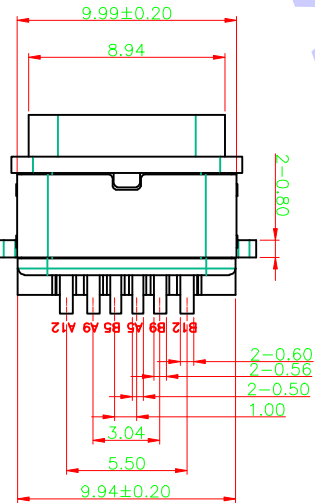
RECOMMENDED P.C.B. LAYOUT
TOLERANCE UNSPECIFIED ±0.05mm

NOTES:
SPECIFICATION:

- CURRENT RATING: 3.0A MAX
- VOLTAGE: 100 VAC
- TEMPERATURE RANGE: -30 °C ~ 85 °C
- CONTACT RESISTANCE: 40 MILLIONHM MAX
- INSULATION RESISTANCE: 100 MEGOHMS MIN.
- INSERTION FORCE: 5N~20N
- UNMATING FORCE: 8N~20N
- DURABILITY: 10,000 CYCLES
- WATER PROOFNESS: THIS PRODUCTS BASED ON IPX7.



加防水圈示意图



5	SHELL	STAINLESS STEEL	Ni Plated	1PCS
4	SHIELDING PLATE	STAINLESS STEEL	Ni Plated	1PCS
3	CONTACT	COPPER ALLOY	TIN/Au/Ni Plated	1SET
2	SHELL HOUSING	HIGH TEMPERATURE PLASTIC	BLACK	1PCS
1	HOUSING	HIGH TEMPERATURE PLASTIC	BLACK	1PCS
NO.	DESCRIPTION	MATERIAL	REMARKS	QTY

深圳市创粤科技有限公司

TYPE C 单排6P沉板防水母座 两脚插板

备注:

NO.	料号	备注
1	AAOB010-077	不带硅胶
2	AAOB010-079	带硅胶

A5	CCI	B12	GND
A9	VBUS	B9	VBUS
A12	GND	B5	CC2
PIN	SIGNAL NAME	PIN	SIGNAL NAME

THESE DRAWINGS AND SPECIFICATIONS ARE THE PROPERTY OF SHENZHEN AND SHALL NOT BE REPRODUCED, COPIED OR USED IN ANY MANNER WITHOUT SHENZHEN CHANGUO TECHNOLOGY CO., LTD

FINISH	DRG NO.:	DWG NO.:
Q'TY	CHKD:	CY-STF2-6PC-820
DR:	SCALE	SCALE SHEET REV.
	1/1	1/1 A1