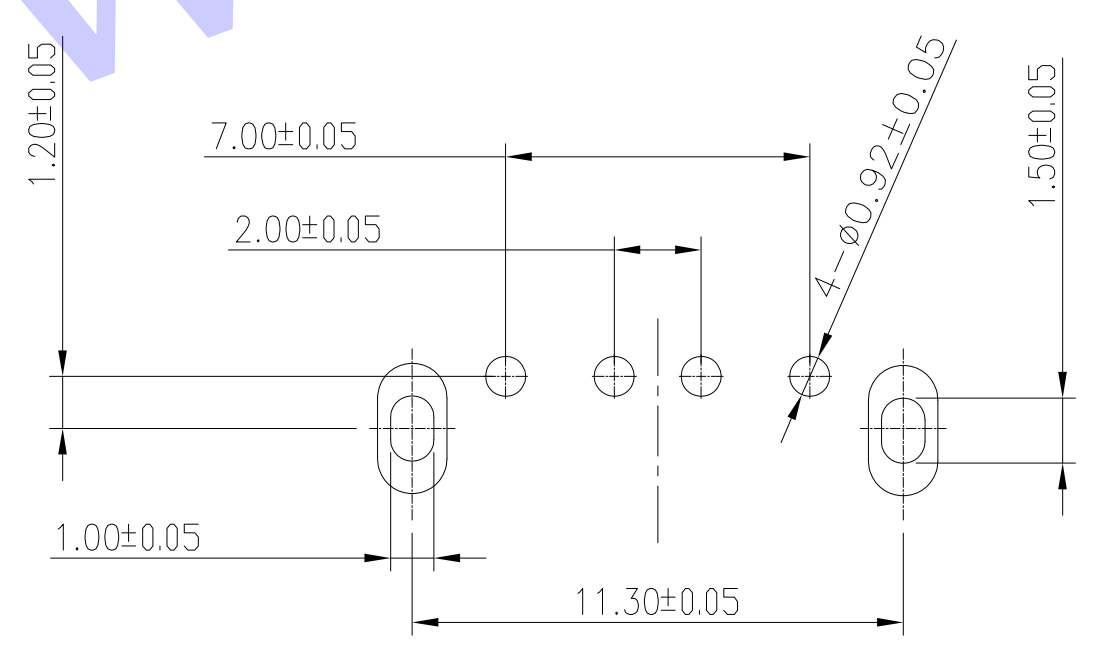
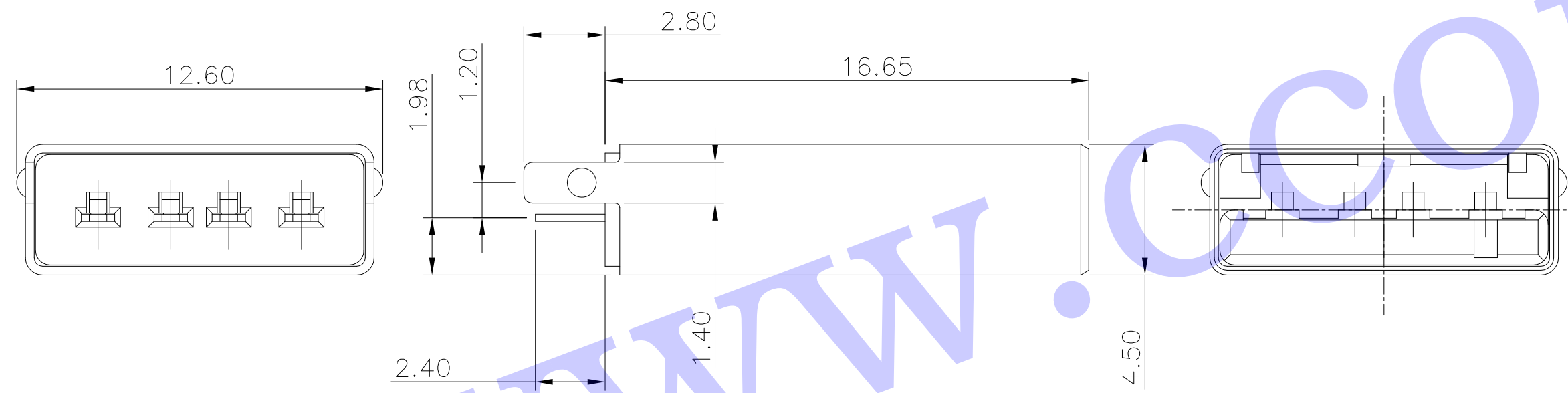
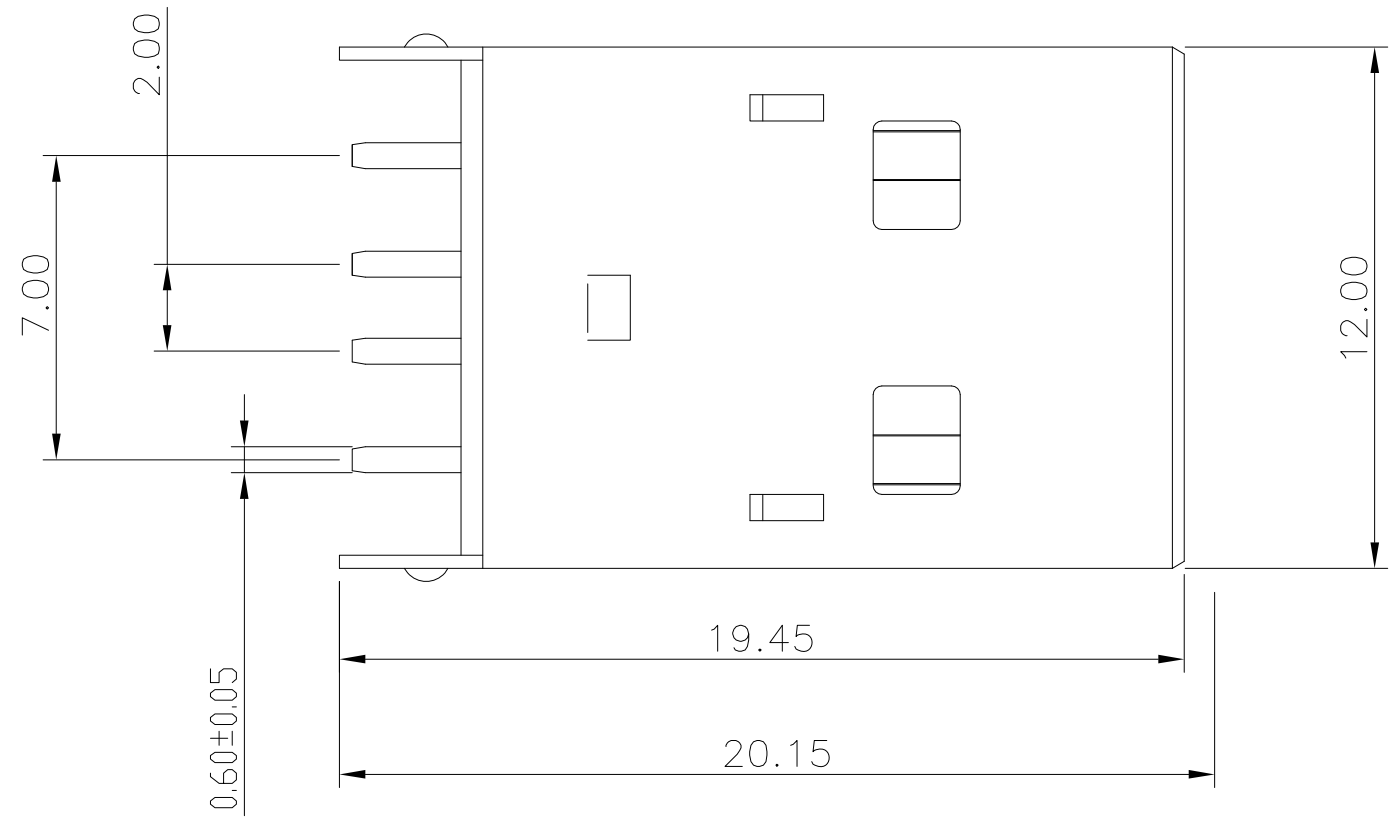


REV.	ECN. NO.	APPD.



1. Material:

Contacts: Brass T=0.25mm
 Insulator: LCP+30% G.F. UL 94V-0, BLACK
 Shell: Brass T=0.30mm

2. Mechanical:

Mating: 35N max.
 Withdrawal Force: 10N min.
 Durability: 1500 cycles min.

3. Electrical:

Current-max[amps]: 1.0A
 Voltage-max[volts]: 30V
 Withstanding Voltage: 500V AC
 Contact Resistance [ohms]: 30 milliohms max
 Insulation Resistance [ohms]: 1000 Megohms min

4. Plating:

Contacts: Gold 1u" Min Plated ON MATING AREA, Sn
 120u" Min PLATED ON SOLDERING, 50u" NICKEL UNDER
 PLATING OVERALL
 Shell: Nickel 60u Min over all plating

5. Environmental

Temperature Range: -55°C~+85°C

X. ±0.50	X.° ± 2°	UNITS mm	深圳市创粤科技有限公司 TITLE: USB AM 180° DIP铜壳黑色LCP料青铜端子1U		
.X ±0.30	.X° ± 1°				
.XX ±0.10	.XX° ± 0.5°	MAT'L /	APPD:	陈俊杰	DWG NO: CY-JM2-4P-1665
.XXX ± 0.05			CHKD:	陈志南	
THESE DRAWINGS AND SPECIFICATIONS ARE THE PROPERTY OF CHUANGYUE TECHNOLOGY CO.,LTD. AND SHALL NOT BE REPRODUCED, COPIED OR USED IN ANY MANNER WITHOUT THE PRIOR WRITTEN CONSENT OF CHUANGYUE TECHNOLOGY CO., LTD		FINISH /	DR:	林德成	SCALE SHEET REV. 1/1 1/1 A1
		Q'TY /			