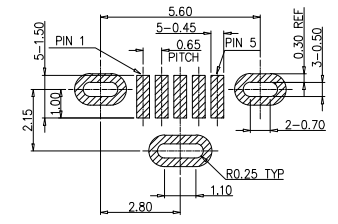
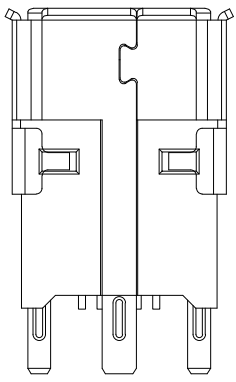
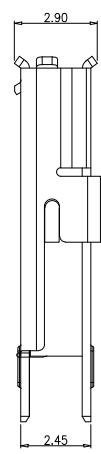
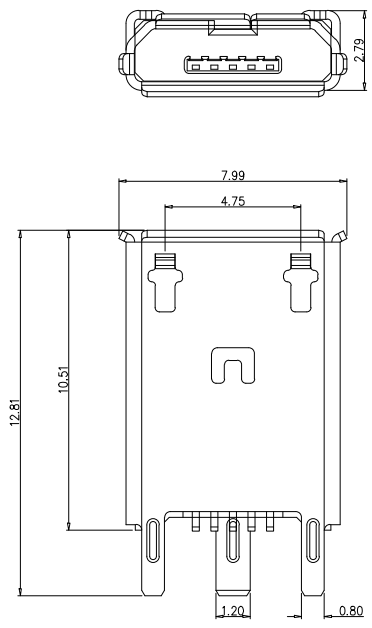
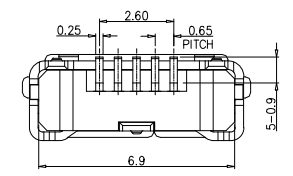




REV.	ZONE	DESCRIPTION	DESIGN	DATE
B		NEW		



RECOMMEND PCB LAYOUT (THICKNESS=1.6mm)
TOLERANCE: ±0.05



Notes:

Specifications:

1. Current rating: 1 A Max.
2. Dielectric withstanding:voltage: 100V(AC) for 1 min.
3. Contact resistance: 50mΩ Max.
4. Insulation resistance: 100MΩ Min.
5. Total mating force: 3.57 Kgf Max.
6. Total unmating force: 1.0 Kgf Min.0.81~2.05 Kgf Min.after 10000 insertion/extraction cycles
7. Temperature range: -30°C~+80°C

X.	±0.50	X.*	± 2°	UNITS	mm
.X	±0.30	.X*	± 1°	MAT'L	
.XX	±0.10	.XX*	± 0.5°		
.XXX	± 0.05				

THESE DRAWINGS AND SPECIFICATIONS ARE THE PROPERTY OF SHENZHEN CHUANGYUE TECHNOLOGY CO.,LTD. AND SHALL NOT BE REPRODUCED, COPIED OR USED IN ANY MANNER WITHOUT THE PRIOR WRITTEN CONSENT OF SHENZHEN CHUANGYUE TECHNOLOGY CO., LTD.

FINISH	APPD:	DWG NO.:	
Q'TY	CHKD:	CY-CMF5-5PC-105	
	DR:	SCALE	SHEET
		1/1	1/1
		REV.	A1

深圳市创粤科技有限公司

TITLE:
MICRO USB 5PIN 立贴(10.5)母座 卷边

