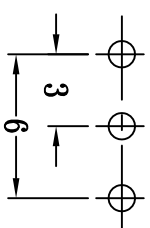
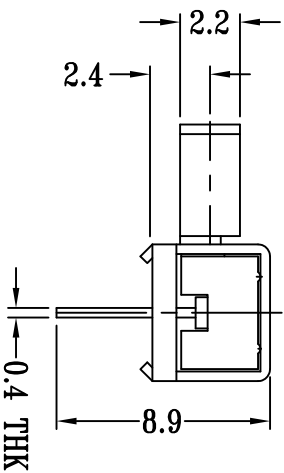
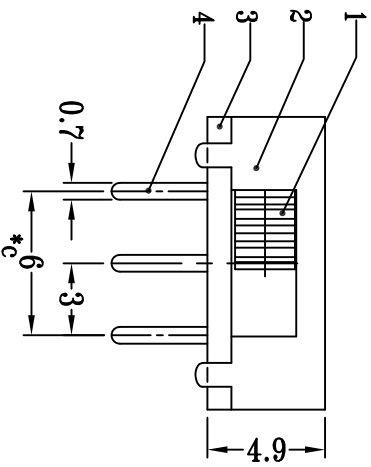
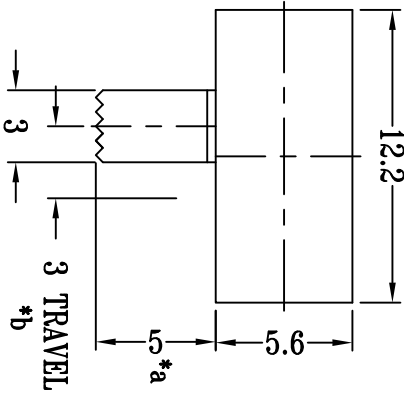
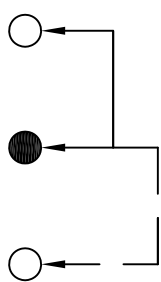


CAD FILE:



P.C.B LAYOUT
BOTTOM VIEW



SCHEMATIC (NON-SHORTING)

注：“*”表示关键尺寸（3个）

8			
7			
6	SPRING	STEEL WIRE	1
5	CONTACT	BRASS STRIP	1
4	TERMINAL	BRASS STRIP	3
3	BASE	PHENOLIC RESIN	1
2	FRAME	STEEL STRIP	1
1	KNOB	POM	1
NO.	PART NAME	MATERIAL	Q'TY

TOLERANCE UNLESS SPECIFIED			
WITHIN 1.5mm : ±0.1mm		A	
OVER 1.5mm : ±0.2mm		ISSUE	
TITLE : HORIZONTAL SLIDE SWITCH		DATE	
MODEL: SK12F04G5 电子不上油		UNIT : mm	
SCALE: 3:1		DRWG NO.: HQ-DR-SK12F04G5-00	
初版		APPD.	
DESCRIPTIONS OF REVISION		DWN.	
DRWG NO.: HQ-DR-SK12F04G5-00		DWN.	
APPD.		DWN.	
APPD.		DWN.	
APPD.		DWN.	
APPD.		DWN.	
APPD.		DWN.	
APPD.		DWN.	

深圳市创粤科技有限公司

卢业创

2019-8-14