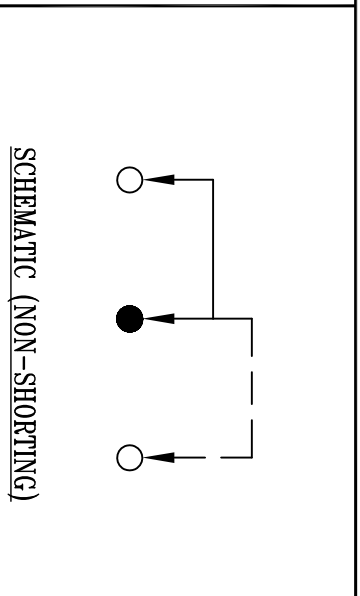
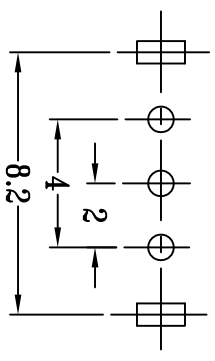
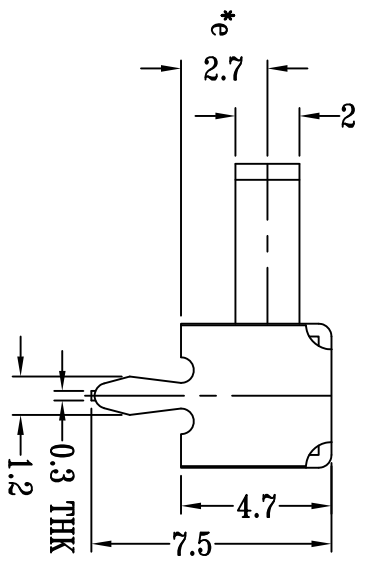
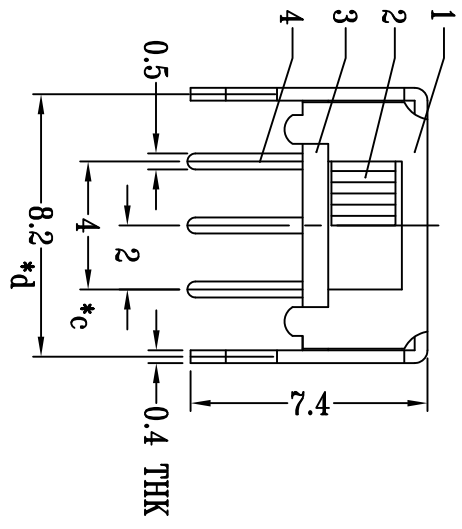
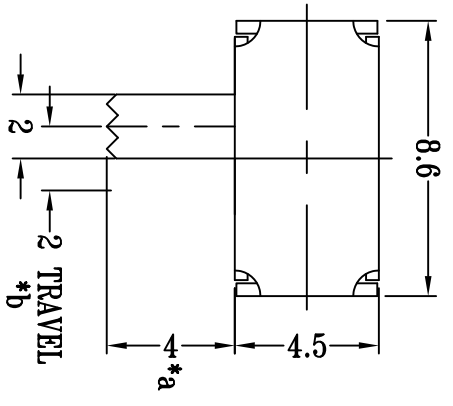


CAD FILE:



注：“\*”表示关键尺寸 (5个)

8									
7									
6	SPRING PLATE	PBS STRIP	1	NATURAL					
5	CONTACT CLIP	PBS STRIP	1	Ag PLATED					
4	TERMINAL	BRASS STRIP	3	Ag PLATED					
3	BASE	PHENOLIC RESIN	1	NATURAL					
2	KNOB	POM	1	BLACK					
1	FRAME	STEEL STRIP	1	Ni PLATED					
NO.	PARTS	MATERIALS	Q'TY	FINISH					

TOLERANCE UNLESS SPECIFIED									
WITHIN 1.5mm : ±0.1mm					A	2016-8-11			
OVER 1.5mm : ±0.2mm					ISSUE	DATE			
TITLE : HORIZONTAL SLIDE SWITCH					初版				
MODEL: SK12D02G4					DESCRIPTIONS OF REVISION				
SCALE: 4:1					UNIT : mm	DRWG NO.:	HQ-DR-SK12D02G4-00	APPD.	卢业创
DWN.					余丽珍	2016-8-11			
CHK'D					2016-8-11				
APPD.					2016-8-11				

深圳市创粤科技有限公司